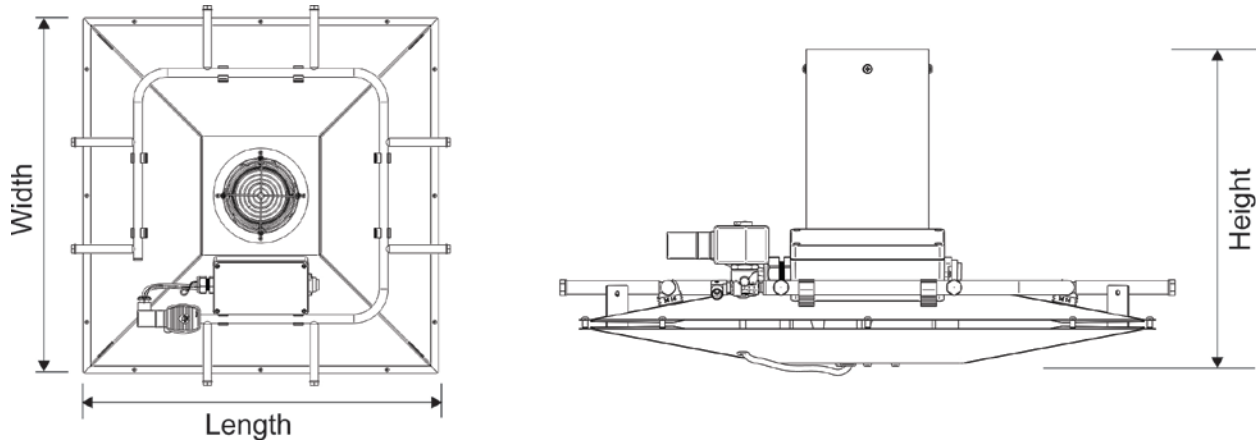


TurboFog 32



Model		TF32
Output		32 L/hr (70.6 lbs/hr)
Operating Pressure		85 bar (1232 PSI)
Dimensions	Length	600 mm (23.6")
	Width	600 mm (23.6")
	Height	325 mm (12.8")
Minimum Clearances	Ceiling	1 m (3.3')
	Floor	Minimum 4.1m (13.3')
	Spray	Unobstructed through an angle of 90° and to a distance of 4 metres (13.3')
Droplet size		<15 micron
Weight		8.4 kg 18.5 lbs
Operating Voltage		120 VAC / 1P 60Hz
Power Consumption		24 W
Usage		Indoor Use Only
Altitude above mean sea level		Max 6,670 ft
Ambient temperature		7-35°C (45-95°F)
Ambient humidity		Max. 95 %, avoid condensation

DRAABE division of Walter Meier (Climate Canada) Ltd. 2740 Fenton Rd Ottawa, ON K1T 3T7 Canada	DRAABE division of Walter Meier (Climate USA) Inc. 826 Proctor Ave Ottawa, ON K1T 3T7 Canada	Sales and General Inquiries draabe@waltermeier.com Technical and Service Inquiries draabecare@waltermeier.com
--	--	--