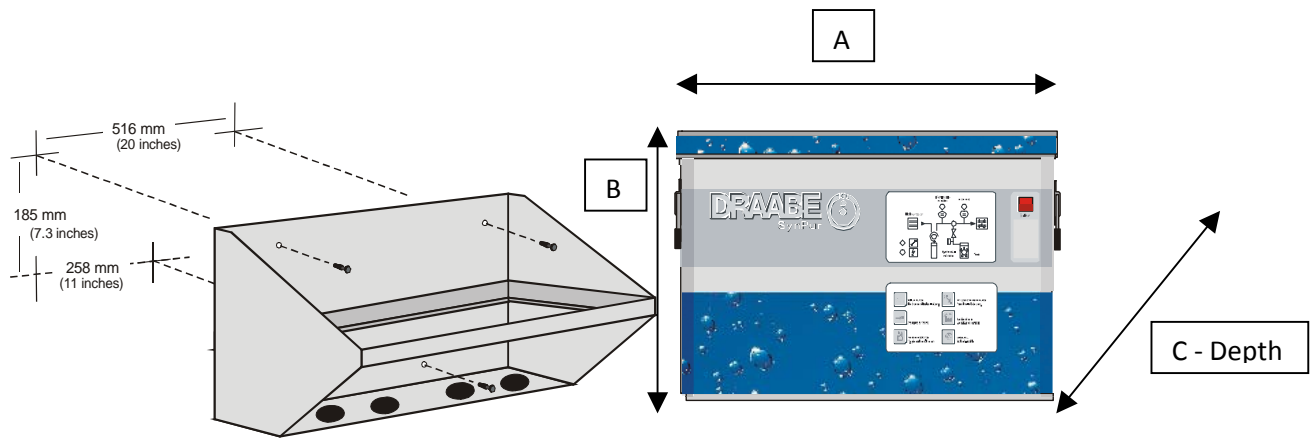


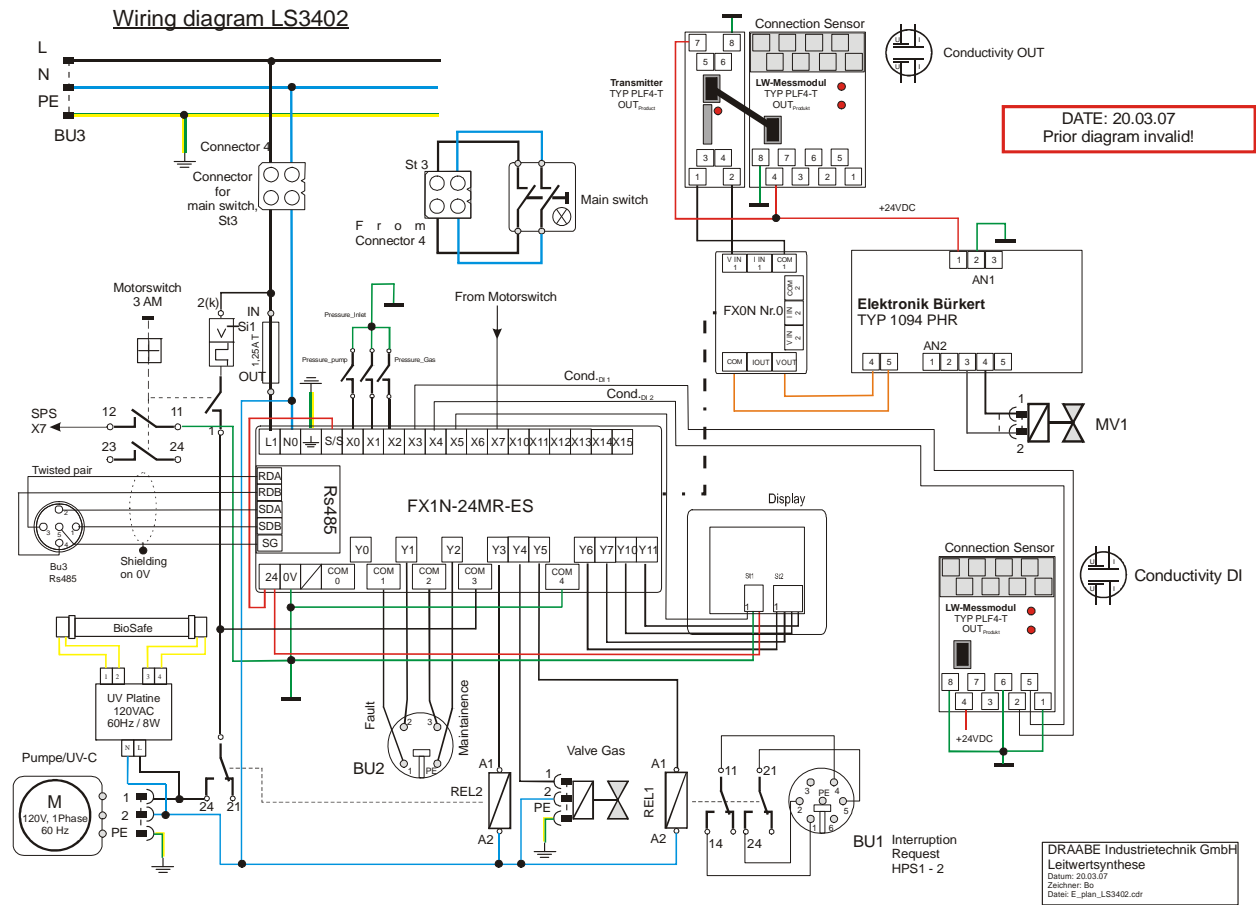
## Container and Bracket Dimensional & Electrical Data



Model	<b>SynPur LS3402</b>
Capacity	400 L/hr (880 lbs/hr)
CO2 Requirement	99.5% Pure / 90 PSI
Dimensions	A x B x C 600 x 400 x 400 mm 23.6 x 15.8 x 15.8 inches
Clearances	Top 50 cm (20 inches) Left 20 cm (8 inches) Right 20 cm (8 inches) Bottom 120 cm (48 inches) To allow for plumbing.
Weight	25 kg 55 lbs
Operating voltage	120 VAC/ 1P 60Hz +/-10%
Power consumption	90 W
Usage	Indoor Use Only
Altitude above mean sea level	Max 6,670 ft
Ambient temperature	7-35°C (45-95°F)
Ambient humidity	Max. 80 %, avoid condensation

<p>DRAABE division of Walter Meier (Climate Canada) Ltd. 2740 Fenton Rd Ottawa, ON K1T 3T7 Canada</p>	<p>DRAABE division of Walter Meier (Climate USA) Inc. 826 Proctor Ave Ottawa, ON K1T 3T7 Canada</p>	<p>Sales and General Inquiries <a href="mailto:draabe@waltermeier.com">draabe@waltermeier.com</a> Technical and Service Inquiries <a href="mailto:draabecare@waltermeier.com">draabecare@waltermeier.com</a></p>
---	---	--

## Wiring Diagram



<p>DRAABE division of Walter Meier (Climate Canada) Ltd. 2740 Fenton Rd Ottawa, ON K1T 3T7 Canada</p>	<p>DRAABE division of Walter Meier (Climate USA) Inc. 826 Proctor Ave Ottawa, ON K1T 3T7 Canada</p>	<p>Sales and General Inquiries <a href="mailto:draabe@waltermeier.com">draabe@waltermeier.com</a> Technical and Service Inquiries <a href="mailto:draabecare@waltermeier.com">draabecare@waltermeier.com</a></p>
---	---	--