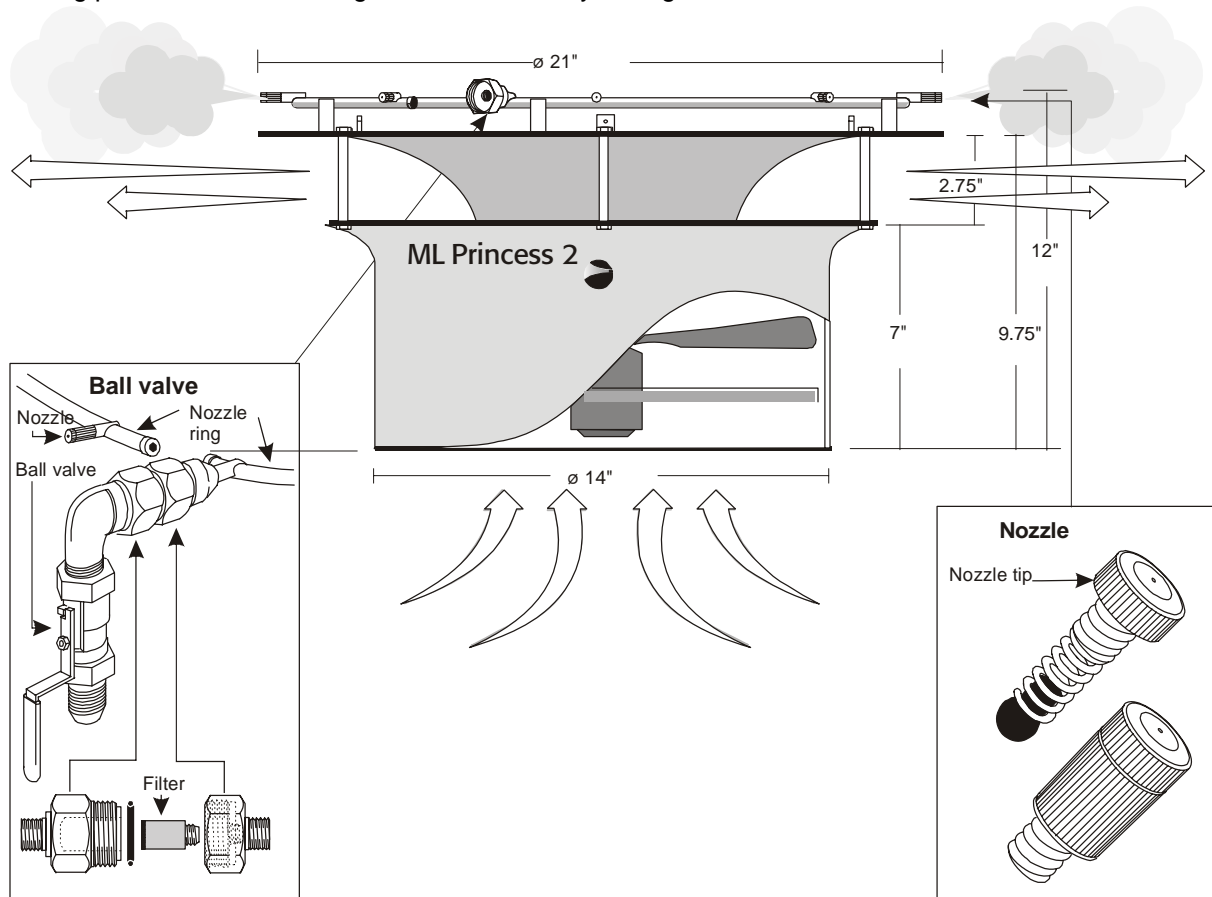


ML Princess 2

TECHNICAL DATA

TD064GB-02	15-05-08	LR/KK
------------	----------	-------

ML Princess 2 is part of a complete high pressure humidification system with one or more humidification units. Every unit consists of a nozzle ring with 8 nozzles and a built-in fan. Humidity is produced as water under high pressure is atomized into micro-sized particles. The fan distributes the fog particles, thus securing a uniform humidity throughout the entire room.



Technical data for ML Princess 2

Weight	13 lbs
Height	12"
Diameter	14"/21"
Material	Powder painted steel 37
Motor	75 W, 900 RPM 120 VAC, 50/60 Hz, IP44
Wire guard	Epoxy treated
Noise level	55 dBA
Capacity	990 CFM
Color	Aluminium

Technical data for nozzles

Capacity	61-88 lbs/hr
Capacity/nozzle	7.7-11 bs/hr
Working pressure	525-1070PSI
Material	316 stainless steel
Antidrip valve	Standard

Technical data for nozzle ring

Material	316 stainless steel
Prefilter	20 micron