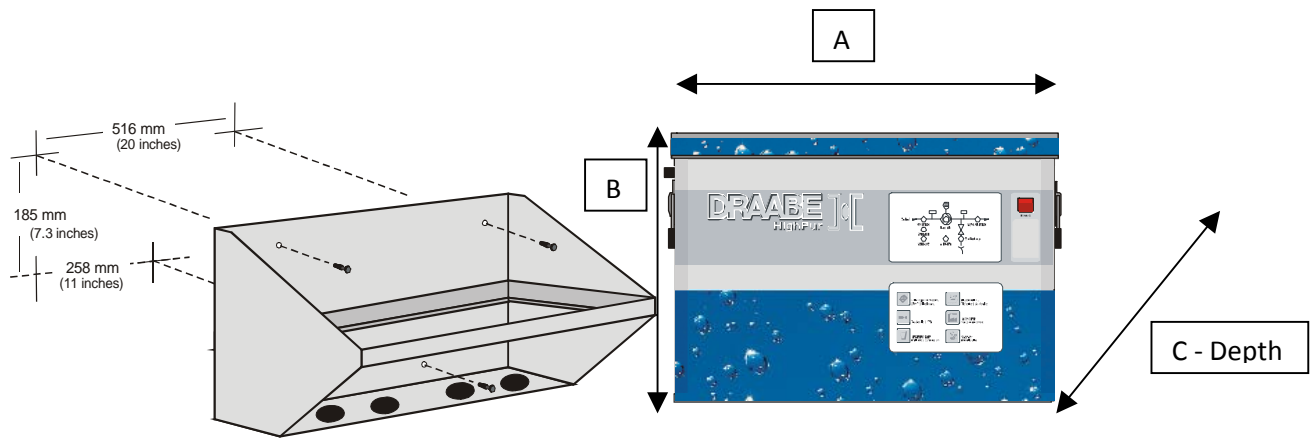
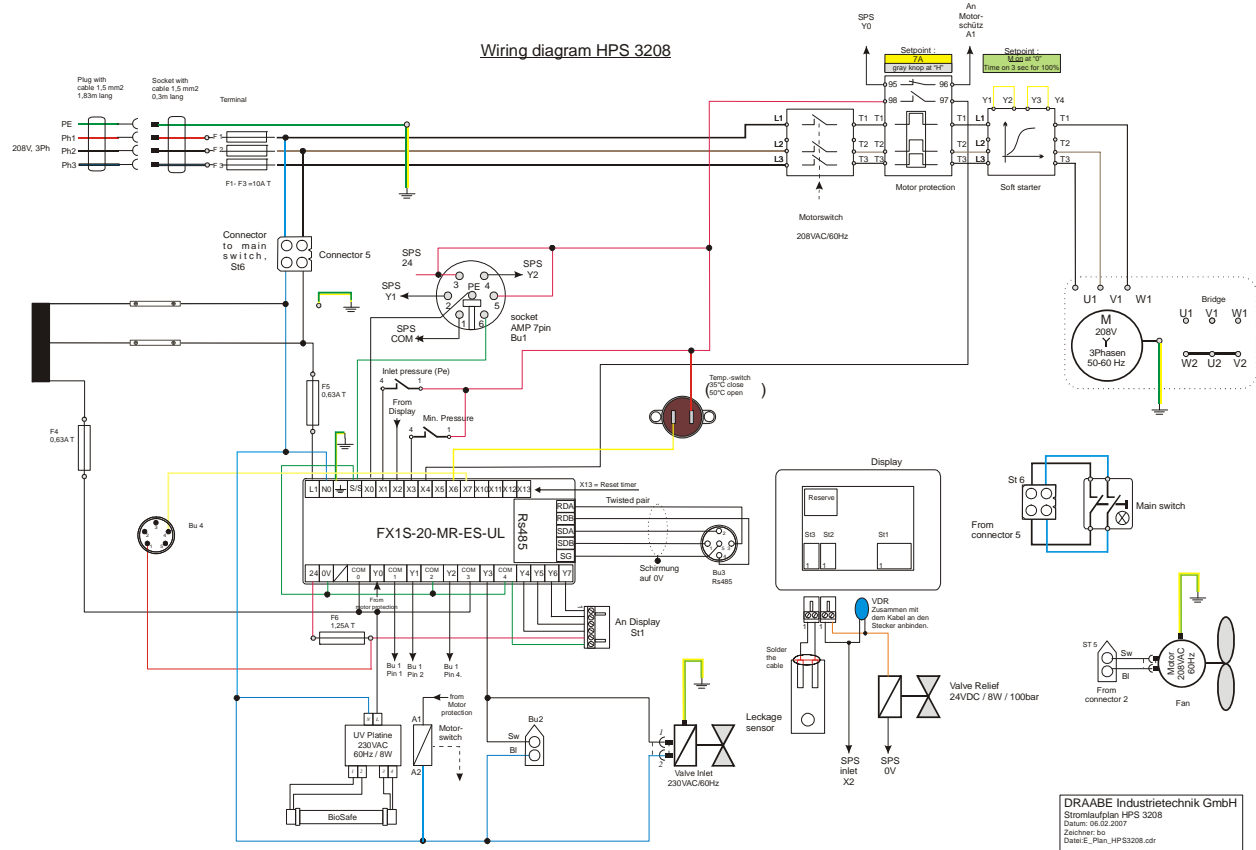


Container and Bracket Dimensional & Electrical Data



| | |
|-------------------------------|---|
| Model | HighPur HPS3208 |
| Output Range | 4-200 kg/h (8-440 lbs/h) |
| Operating pressure | 85 bar (1,232 psi) |
| Dimensions | A x B x C 600 x 400 x 400 mm 23.6 x 15.8 x 15.8 inches |
| Clearances | Top 50 cm (20 inches) Left 40 cm (16 inches) Right 20 cm (8 inches) Bottom 120 cm (48 inches) To allow for plumbing. |
| Weight | 52 kg 114.4 lbs |
| Operating voltage | 208 VAC / 3P / 15 Amp Breaker Required |
| Power consumption | 920 W |
| Usage | Indoor Use Only |
| Altitude above mean sea level | Max 6,670 ft |
| Ambient temperature | 7-35°C (45-95°F) |
| Ambient humidity | Max. 80 %, avoid condensation |

Wiring Diagram



DRAABE division of
 Walter Meier (Climate Canada) Ltd.
 2740 Fenton Rd
 Ottawa, ON K1T 3T7
 Canada

DRAABE division of
 Walter Meier (Climate USA) Inc.
 826 Proctor Ave
 Ottawa, ON K1T 3T7
 Canada

Sales and General Inquiries
draabe@waltermeier.com
 Technical and Service Inquiries
draabecare@waltermeier.com