



Steam Distributor Submittal Drawings

Date: _____

Job Name: _____

Contractor: _____

Contractor or Order No.: _____

Engineer: _____

Agent: _____

Agent P.O. No.: _____

Date Ordered: _____

Date Required: _____

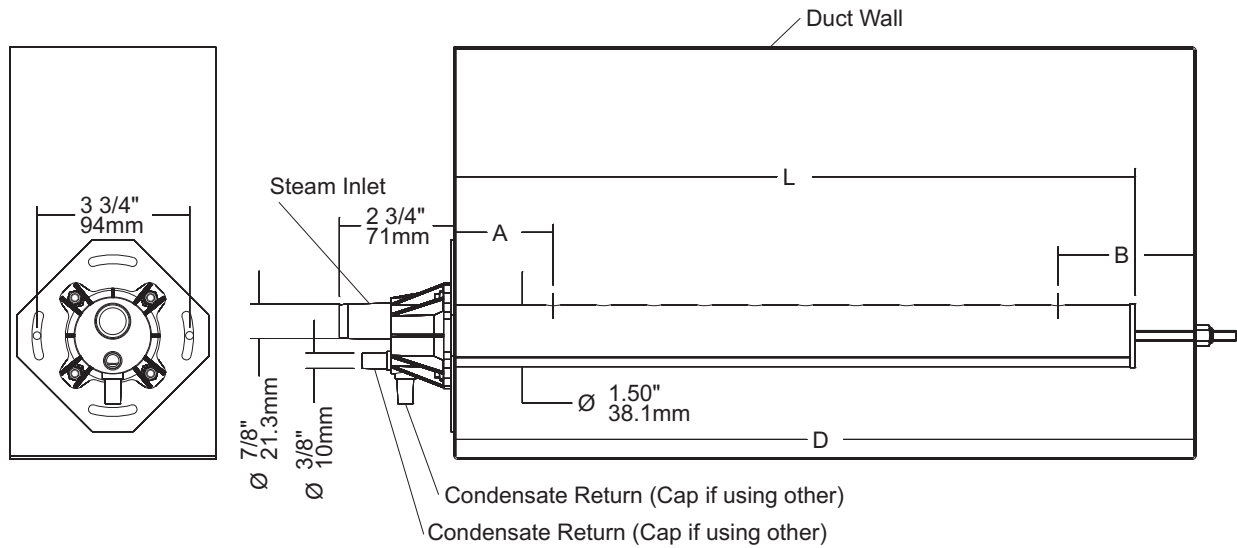


Walter Meier (Climate USA) Inc.
826 Proctor Ave., Ogdensburg, NY 13669 Tel: 315.425.1255 E-mail: nortec@waltermeier.com
Walter Meier (Climate Canada) Ltd.
2740 Fenton Road, Ottawa, Ontario K1T3T7 Tel: 613.822.0335 Fax: 613.822.7964

1-866-NORTEC-1



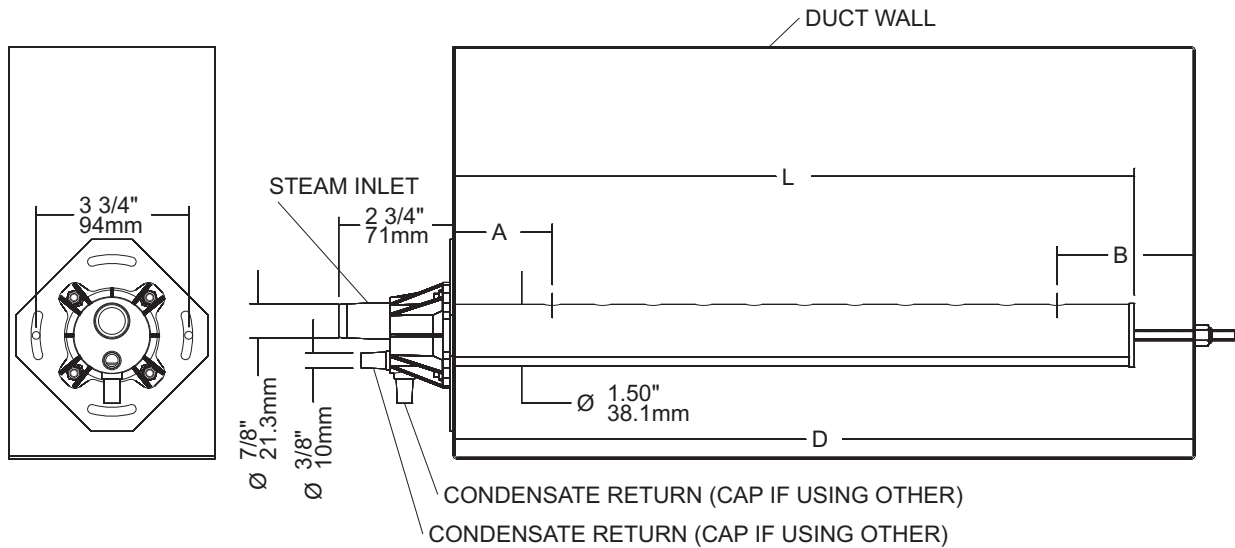
Air Handling Unit Tag	Humidifier Tag	Distributor Type	Length	Remarks



Distributor Model	Max Capacity (lbs/hr)	Dimensions						Minimum Duct Dimensions	
		A		B		L		D	
		in	mm	in	mm	in	mm	in	mm
ASD 12	25	2	51	1.75	44	10	254	12	305
ASD 18	25					16	406	18	457
ASD 24	25					20	508	24	609
ASD 30	25	2.25	57	2	51	26	660	30	762
ASD 36	25					32	813	36	914
ASD 42	25					38	965	42	1066
ASD 48	25	2.5	64	2	51	44	1118	48	1219
ASD 54	25					50	1270	54	1371
ASD 60	25					56	1422	60	1524
ASD 66	25	3	76	2.5	64	62	1575	66	1676

Note:

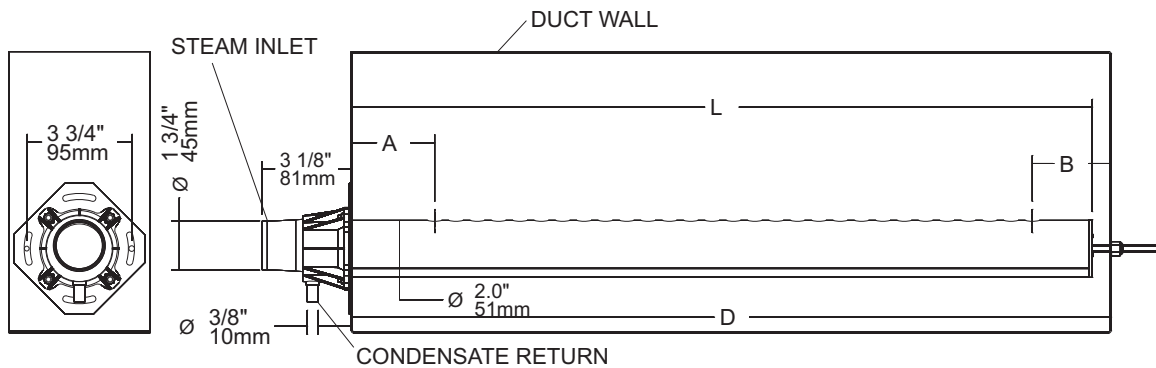
- ASD distributor suitable for 25 lbs/hr (11.3 kg/hr).
- Steam distributor tube made of stainless steel.
- Steam inlet and end cap made of fire rated plastic.
- Distributor is adjustable for horizontal or downflow applications.
- Condensate return hose and steam hose provided for steam line connection.



Distributor Model	Max Capacity (lbs/hr)	Dimensions						Minimum Duct Dimensions	
		A		B		L		D	
		in	mm	in	mm	in	mm	in	mm
BSD 12	35	2	51	1.75	44	10	254	12	305
BSD 18	35					16	406	18	457
BSD 24	35	2.25	57			20	508	24	609
BSD 30	35			26	660	30	762		
BSD 36	35	2.5	64	2	51	32	813	36	914
BSD 42	35					38	965	42	1066
BSD 48	35					44	1118	48	1219
BSD 54	35	3	76	2.5	64	50	1270	54	1371
BSD 60	35					56	1422	60	1524
BSD 66	35					62	1575	66	1676
BSD 72	35	4	102	3.5	89	68	1727	72	1828
BSD 78	35					74	1880	78	1981
BSD 84	35					80	2032	84	2133
BSD 90	35	4	102	3.5	89	86	2184	90	2286
BSD 96	35					92	2337	96	2438
BSD 102	35					98	2489	102	2590

Note:

- BSD distributor suitable for 35 lbs/hr (15.9 kg/hr).
- Steam distributor tube made of stainless steel.
- Steam inlet and end cap made of fire rated plastic.
- Distributor is adjustable for horizontal or downflow applications.
- Condensate return hose and steam hose provided for steam line connection.

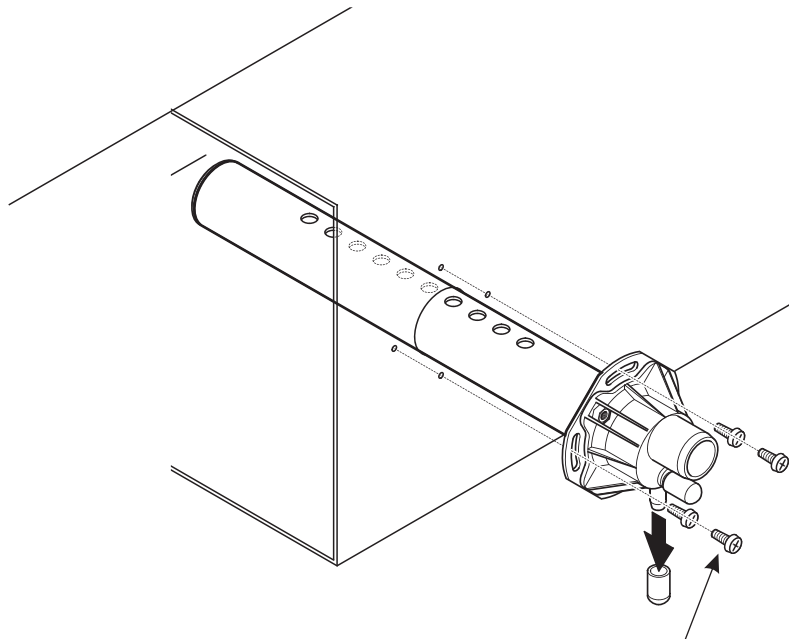


Distributor Model	Max Capacity (lbs/hr)	Dimensions						Minimum Duct Dimensions	
		A		B		L		D	
		in	mm	in	mm	in	mm	in	mm
CSD 24	115	1.75	44	1.55	44	20	508	24	609
CSD 30	115	2	57	2	51	26	660	30	762
CSD 36	115	2	51	2	51	32	813	36	914
CSD 42	115	2.25	64	2	51	38	965	42	1066
CSD 48	115					44	1118	48	1219
CSD 54	115					50	1270	54	1371
CSD 60	115	2.5	76	2.5	64	56	1422	60	1524
CSD 66	115					62	1575	66	1676
CSD 72	115					68	1727	72	1828
CSD 78	115	3	76	2.5	64	74	1880	78	1981
CSD 84	115					80	2032	84	2133
CSD 90	115					86	2184	90	2286
CSD 96	115	4	102	3	89	92	2337	96	2438
CSD 102	115					98	2489	102	2590
CSD 108	115					104	2641	108	2741
CSD 114	115	5	127	4.5	114	110	2793	114	2894
CSD 120	115					116	2945	120	3046
CSD 126	115					122	3097	126	3198
CSD 132	115	6	152	5.5	140	128	3249	132	3350
CSD 138	115					134	3401	138	3502
CSD 144	115					140	3553	144	3654

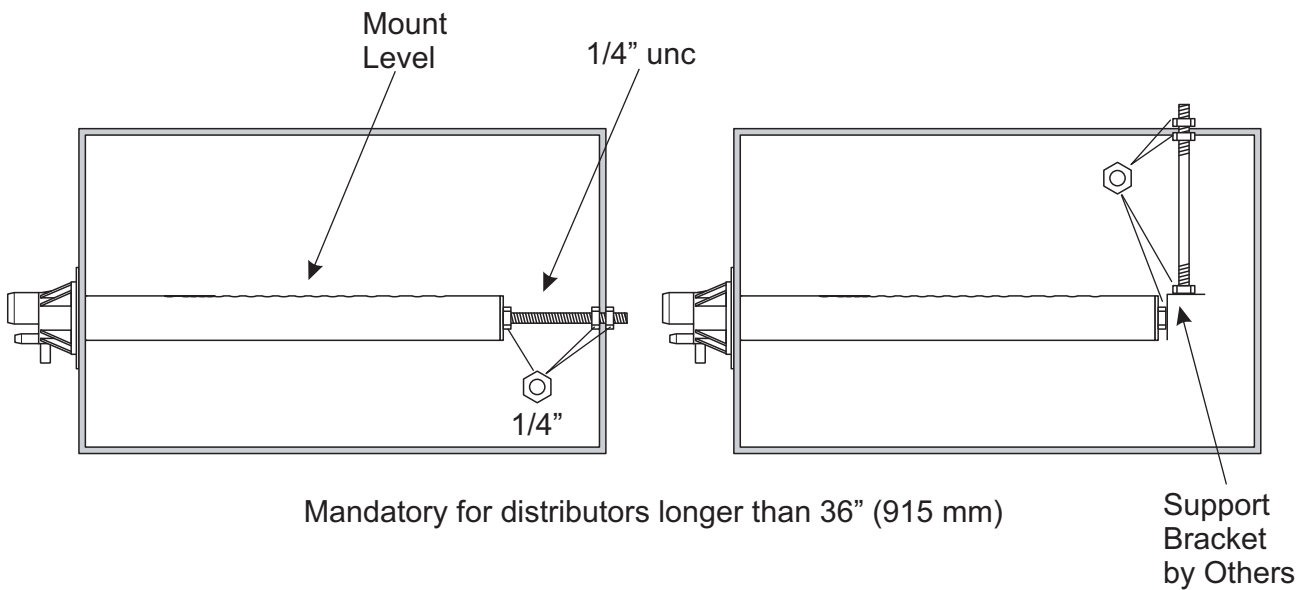
Note:

- CSD distributor suitable for 115 lbs/hr (52.2 kg/hr).
- Steam distributor tube made of stainless steel.
- Steam inlet and end cap made of fire rated plastic.
- Distributor is adjustable for horizontal or downflow applications.
- Condensate return hose and steam hose provided for steam line connection.

Part Number	Description	Qty
Atmospheric Distribution Accessories:		
1328840	Condensate Hose 3/8" ID, fits over 3/8" O.D. plastic condensate returnleg of stainless steel distributor	ft (m)
1329643	Balancing Valve Manual for 1 5/8" line	
1329642	Balancing Valve Manual type for 7/8" line	
Large Size Steam Distrubution Accessories (>33 lb/hr):		
1502569	Steam Line Adapter 100-200 lbs/hr, 2 x 1.75" to 1 x 3"	
1502570	Steam Line Adapter 200-300 lbs/hr, 3 x 1.75" to 1 x 3"	
1502571	Steam Line Adapter 200-300 lbs/hr, 3 x 1.75" to 1 x 4"	
1502572	Steam Line Adapter 300-400 lbs/hr, 4 x 1.75" to 1 x 4"	
1328620	Steam Supply Hose 1-3/4" ID, fits with CSD type of distributor	ft (m)
1329633	Steam Supply Line Tee 1 5/8 x 1 5/8 x 1 5/8" OD	
1329635	Large Steam Supply Condensate Tee 1-5/8 x 1-5/8 x 3/8"OD	
1329664	Large Steam Supply Header 1 into 3 1 5/8" OD connections	
1859602	Splitting Manifold 1 into 2 1-1/2" to 7/8" x 7/8" OD	
1859603	Splitting Manifold 1 into 3 1-5/8" to 7/8 x 7/8 x 7/8" OD	
1329643	Balancing Valve Manual for 1 5/8" line	
Small Size Steam Distribution Accessories (<33 lb/hr):		
1329642	Balancing Valve Manual type for 7/8" line	
1329634	Small Steam Supply Condensate Tee, 7/8" x 7/8" x 3/8" OD	
1329663	Small Steam Supply Header 1 into 3 7/8" x 7/8" x 7/8" x 7/8"	
1328810	Steam Supply Hose 7/8" ID	ft (m)
1329662	Steam Supply Line Tee 7/8" x 7/8" x 7/8" OD	
Other Accessories:		
1507846	Steam Line Reducer 1-3/4" to 7/8" Copper	
1508165	Steam Line Reducer 1-3/4" to 7/8" Stainless Steel	

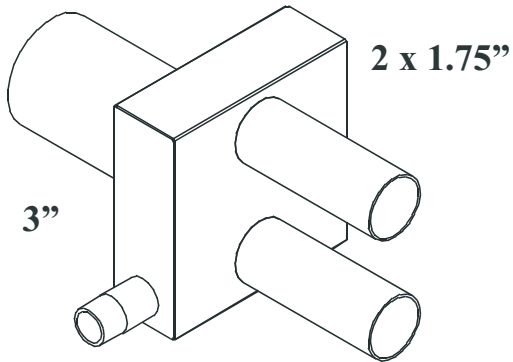


By others (#12 Screw)
self tapping screws

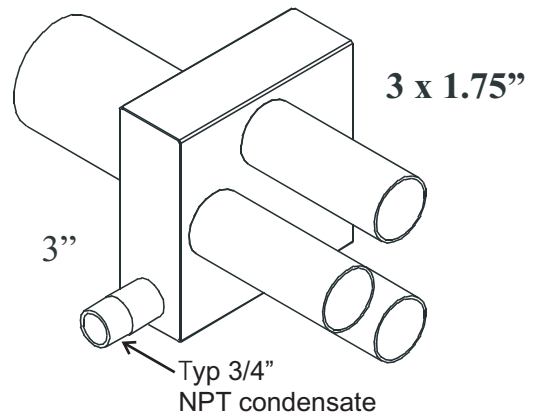


Mandatory for distributors longer than 36" (915 mm)

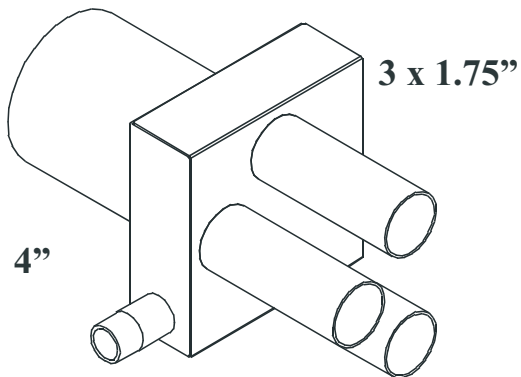
Support
Bracket
by Others



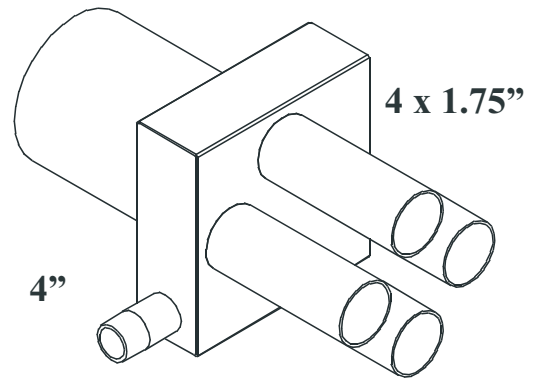
PN 1502569



PN 1502570



PN 1502571



PN 1502572

These adapters will allow you to distribute steam to multiple remote mounted blower packs, or multiple steam distributors (ASD, BSD, CSD, RSD). Can be used with NHRS Resistive Element, Gas-fired, and Steam Exchange humidifiers only.

Model	Capacity		Steam Outlet		Distributor		
	lbs/hr	kg/hr	in	cm	ASD	BSD	CSD
Gas	100	45	1 x 1.75"OD	1 x 4.44cmOD	5	4	1
	200	91	1 x 3"OD	1 x 7.62cmOD	10	7	2
	300	136	1 x 3"OD	1 x 7.62cmOD	15	10	3
	400	182	1 x 4"OD	1 x 10.16cmOD	20	14	4
	500	227	2 x 3"OD	2 x 7.62cmOD	25	17	5
	600	273	2 x 3"OD	2 x 7.62cmOD	30	20	6
Electrode	5	2	1 x 7/8"	1 x 2.22cmOD	1	not recommended	
	10	5	1 x 7/8"	1 x 2.22cmOD	1	not recommended	
	20	9	1 x 7/8"	1 x 2.22cmOD	1	not recommended	
	30	14	1 x 7/8"	1 x 2.22cmOD	2		
	50	23	1 x 1.75"OD	1 x 4.44cmOD	3	2	1
	75	34	1 x 1.75"OD	1 x 4.44cmOD	4	3	2
	100	45	1 x 1.75"OD	1 x 4.44cmOD	5	4	1
	150	68	2 x 1.75"OD	2 x 4.44cmOD	8	5	1
	200	91	2 x 1.75"OD	2 x 4.44cmOD	10	7	2
Resistive	10	5	1 x 1.75"OD	1 x 4.44cmOD	1	not recommended	
	20	9	1 x 1.75"OD	1 x 4.44cmOD	1	1	NR
	30	14	1 x 1.75"OD	1 x 4.44cmOD	2	not recommended	
	50	23	1 x 1.75"OD	1 x 4.44cmOD	3	2	1
	100	45	1 x 1.75"OD	1 x 4.44cmOD	5	4	1
	150	68	2 x 1.75"OD	2 x 4.44cmOD	8	5	1
	200	91	2 x 1.75"OD	2 x 4.44cmOD	10	7	2
Steam Exchange	75	34	1 x 1.75"OD	2 x 4.44cmOD	4	3	1
	100	45	1 x 1.75"OD	2 x 4.44cmOD	5	4	1
	150	68	2 x 1.75"OD	2 x 4.44cmOD	8	5	1
	200	91	2 x 1.75"OD	2 x 4.44cmOD	10	7	2
	300	136	3 x 1.75"OD	3 x 4.44cmOD	15	10	3
	400	182	4 x 1.75"OD	4 x 4.44cmOD	20	14	4
	500	227	5 x 1.75"OD	5 x 4.44cmOD	25	17	5
	600	273	6 x 1.75"OD	6 x 4.44cmOD	30	20	6
Residential Electrode	4	2	1 x 7/8"	1 x 2.22cmOD	1	not recommended	
	8	4	1 x 7/8"	1 x 2.22cmOD	1	not recommended	