

Outdoor Mount Temperature Sensor Installation Instructions

This document covers the operation and installation instructions for the following Nortec Digital Humidity Controllers:


Part #:	Description:
1510142	0-10V Digital Wall Humidistat
2520259	On/Off Digital Wall Humidistat
2520266	0-10V Digital Duct Humidistat pkg.
2520273	On/Off Digital Duct Humidistat pkg.
2548731	Nortec Digital Wall ON/OFF Humidistat pkg.
2548732	Nortec Digital Duct ON/OFF Humidistat pkg.

Installation

Outside air probes must be installed on a flat vertical surface protected from direct sunlight and rain.

- The cable gland must face downwards.
- To install the sensor, remove cover
- Place seal and washer below the long mounting screw. Securely fix it to wall.
- Thread wires through cable gland or conduit connector
- Connect the wires, normally 18ga unshielded twisted pair, according to the wiring diagram to the measuring circuit in the cover:
- Tighten cable gland
- Assemble the cover with the base plate. Make sure the seal in the seal groove of the cover is not damaged and in place.
- Tighten the four screws of the cover with moderate torque to complete the installation.

Technical Specification

Sensing Probe	Thermistor: Accuracy: -40...0 °C (-40...32 °F): 0...50 °C (32...122 °F): 50...100 °C (122...212 °F):	NTC 0.5 C 0.2 C 0.5 C
Connection	Terminal Connectors	For wire AWG 24...12
Environment	Operation Temperature Humidity	To IEC 721-3-3 -40...100 °C (-40...212 °F) <95% R.H. non-condensing
Standards	 conform according to EMC Standard 89/336/EEC EMEI Standard 73/23/EEC	EN 61 000-6-1/ EN 61 000-6-3
	Product standards Automatic electrical controls for household and similar use Special requirement on temperature dependent controls	EN 60 730 -1 EN 60 730 - 2 - 9
	Degree of Protection	IP65 to EN 60 529
	Safety Class	III (IEC 60536)
Housing	Material	Fire proof PC + ABS plastic
	Dimensions Cover: (H x W x D)	33 x 60 x 50 mm (1.3 x 2.4 x 2 in)
	Weight (including package)	80 g (2.8 oz)

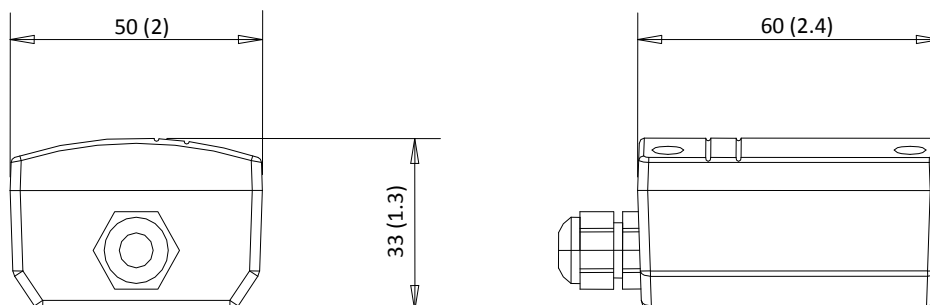


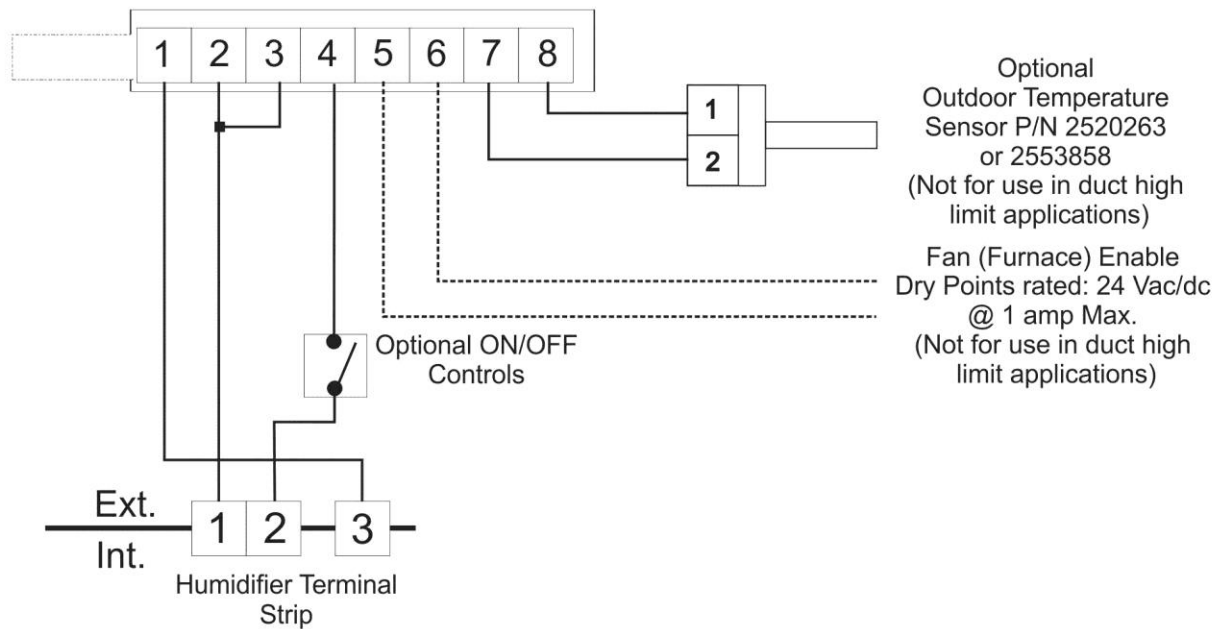
Figure 1: Dimensions

NORTEC Wall and Duct ON/OFF HUMIDISTAT WIRING DIAGRAM

Use for NH-EL, RH Series, NHRS, GSTC/GSP, SETC/SEP, MHTC, AIRFOG, and HP with:

Part #	Description
2548731	Digital ON/OFF Wall Humidistat
2548732	Digital ON/OFF Duct Humidistat
2520263	Outdoor Temperature Sensor
2553858	Outdoor Mount Temperature Sensor

Warning: Failure to wire the humidity transducer in accordance with wiring diagram could permanently damage the electronics. Such errors will void the warranty.
Cabling between transducers and unit should be shielded 18 AWG



Optional
Outdoor Temperature
Sensor P/N 2520263
or 2553858
(Not for use in duct high
limit applications)
Fan (Furnace) Enable
Dry Points rated: 24 Vac/dc
@ 1 amp Max.
(Not for use in duct high
limit applications)

Humidistat - Relay Timing Chart

