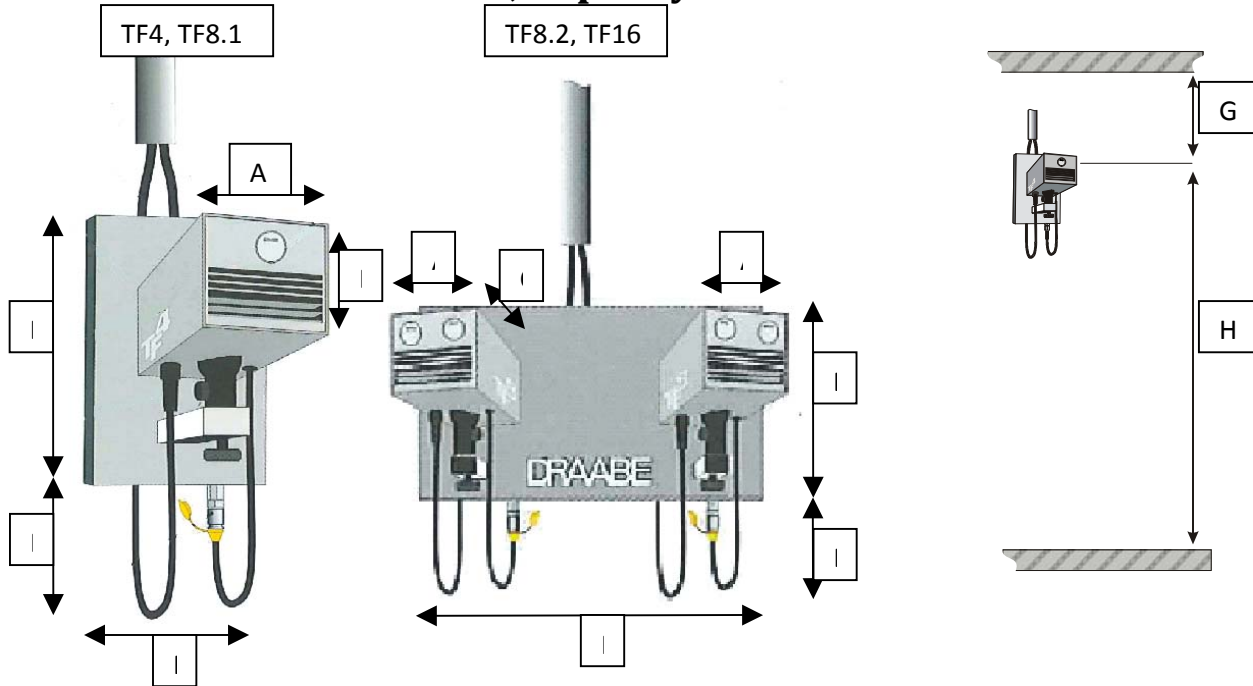


Humidifier Dimensions, Capacity and Clearance



Model	TF4	TF8.1	TF8.2	TF16	
Output	4 L/hr (8.8 lbs/h)	8 L/hr (17.6 lbs/h)	8 L/hr (17.6 lbs/h)	16 L/hr (35.3 lbs/h)	
Operating Pressure	85 bar (1232 PSI)				
Dimensions	A	120 mm (4.75")			
	B	100 mm (4")			
	C	170 mm (6.7")			
	D	200 mm (8")			
	E	170 mm (6.7")			
	F	115mm (4.5")		395mm (15.5")	
Minimum Clearances	G	.45m (1.6')	1m (3.3')	.45m (1.6')	1m (3.3')
	H	2.4m (7.9')	3m (9.8')	3m (9.8')	4.1m (13.3')
	Spray	Unobstructed through an angle of 90° and to a distance of 4 metres (13.3')			
Droplet size	<15 micron				
Weight	2.84 kg	3.3 kg	7.5 kg	8.4 kg	
	6 lbs	7.3 lbs	16.5 lbs	18.5 lbs	
Operating Voltage	120 VAC / 1P 60Hz				
Power Consumption	12 W		24 W		
Usage	Indoor Use Only				
Altitude above mean sea level	Max 6,670 ft				
Ambient temperature	7-35°C (45-95°F)				
Ambient humidity	Max. 95 %, avoid condensation				

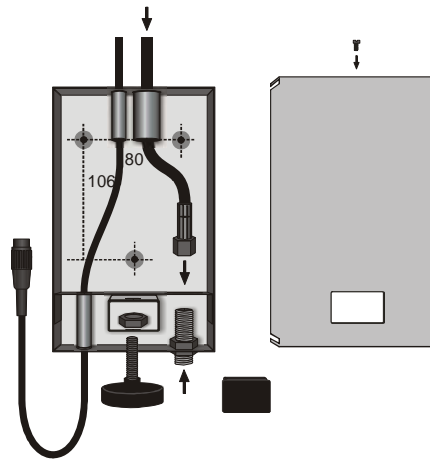
DRAABE division of
Walter Meier (Climate Canada) Ltd.
2740 Fenton Rd
Ottawa, ON K1T 3T7
Canada

DRAABE division of
Walter Meier (Climate USA) Inc.
826 Proctor Ave
Ottawa, ON K1T 3T7
Canada

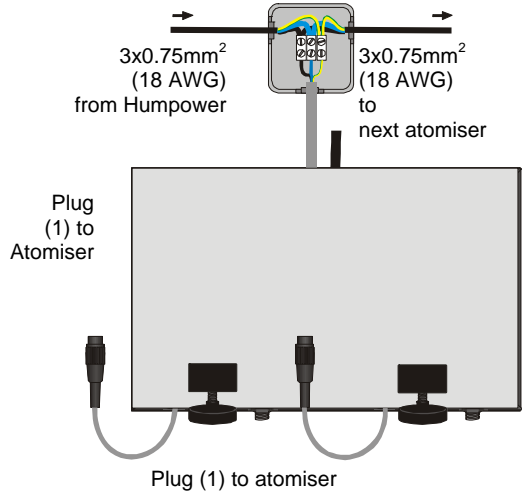
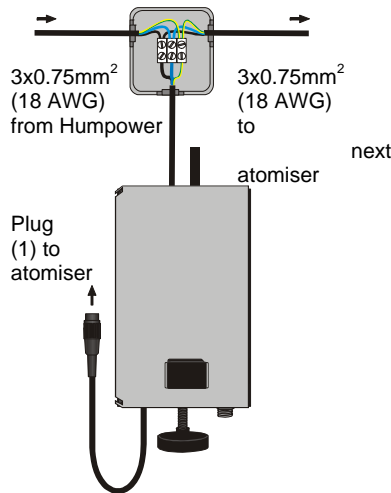
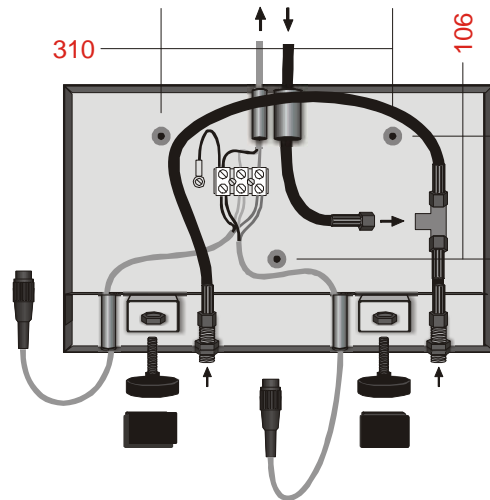
Sales and General Inquiries
draabe@waltermeier.com
Technical and Service Inquiries
draabecare@waltermeier.com

Mounting and Connection

Bracket for TF4 US, TF8.1 US



Bracket for TF8.2 US, TF16 US



The power is supplied by the HumSpot. If atomising is required, it switches the 120 VAC, 60 Hz through to all connected atomisers.

Supply voltage: 120 VAC, 60 Hz, 1-phase, neutral and protective earth conductor (identical for all types)
 Fusing: in the HumPower

DRAABE division of Walter Meier (Climate Canada) Ltd. 2740 Fenton Rd Ottawa, ON K1T 3T7 Canada	DRAABE division of Walter Meier (Climate USA) Inc. 826 Proctor Ave Ottawa, ON K1T 3T7 Canada	Sales and General Inquiries draabe@waltermeier.com Technical and Service Inquiries draabecare@waltermeier.com
--	--	--