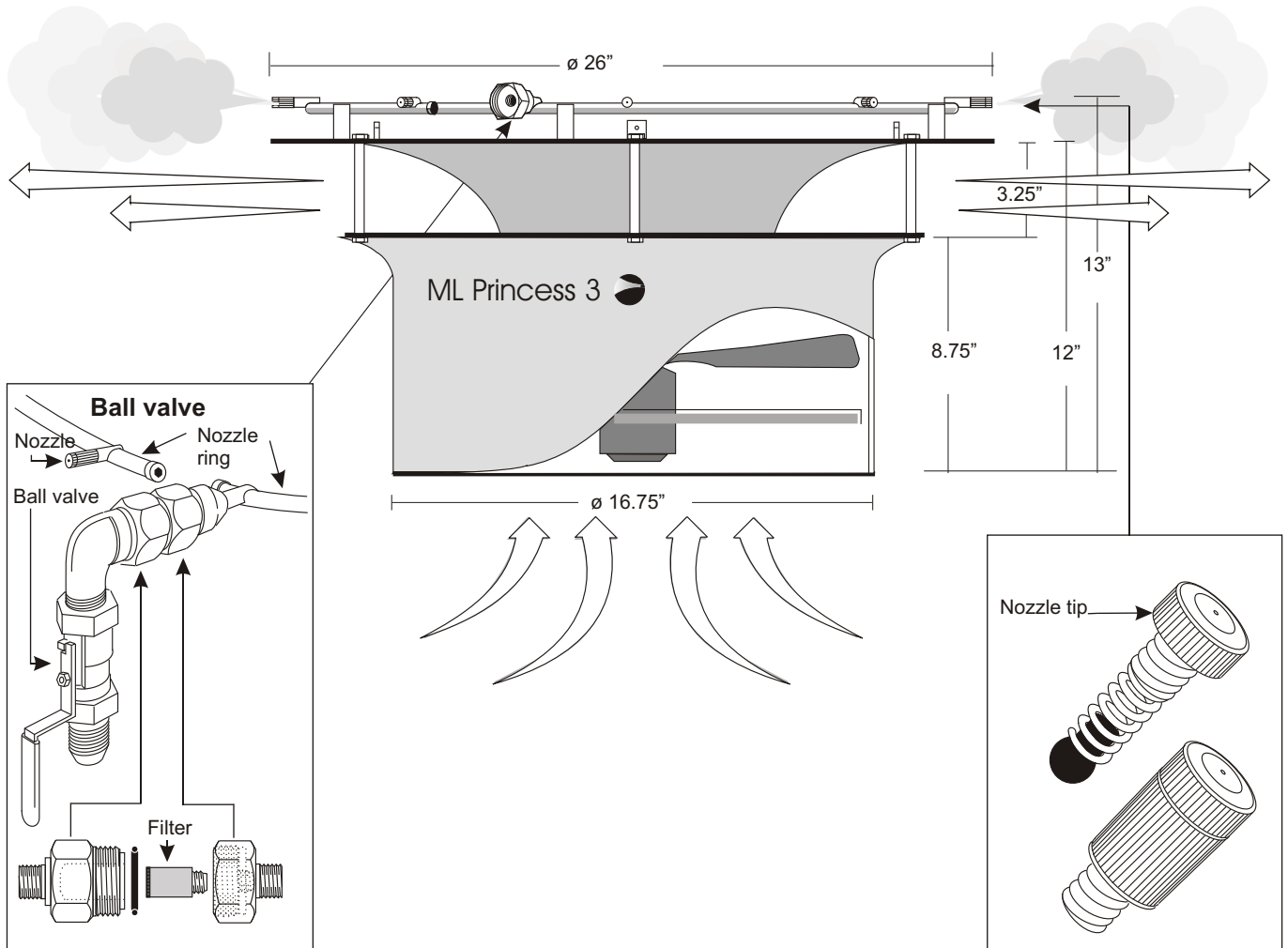


ML Princess 3

TECHNICAL DATA

TD065US-02	14.12.05	MLK/VM
------------	----------	--------

The ML Princess 3 is part of a complete high pressure humidification system with one or more humidification units. Every unit consists of a nozzle ring with 12 nozzles and a built-in fan. Humidity is produced as water under high pressure is atomized into micro-sized particles. The fan distributes the droplets, thus insuring a uniform humidity throughout the entire room.



Technical data for ML Princess 3:

Weight:	20 lbs
Height:	12"
Diameter:	16.75"/26"
Material:	2 mm anodized aluminium
Motor:	120 W, 900 RPM 120 VAC, 60 Hz, IP 44
Wire guard:	Epoxy treated
Noise level:	59 dBA
Capacity:	1980 CFM
Colour:	Aluminium

Technical data for nozzles

Capacity:	61-120 lbs/hr
Capacity per nozzle:	7.7-11 lbs/hr
Working pressure:	525-1070 PSI
Material:	316 stainless steel
Check valve:	Standard

Technical data for nozzle ring

Material:	316 stainless steel
Pre-filter:	20 micron